



ATSCENTROL

ULTRASONIC LEVEL INDICATOR

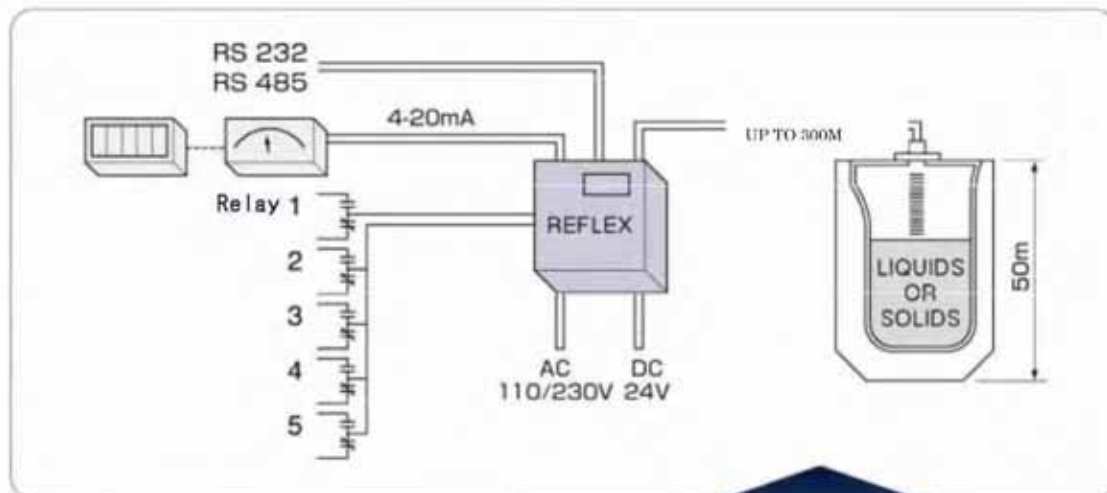
REFLEX/SCANFLEX

POWERFUL ENOUGH TO MEASURE A
WIDE RANGE OF PRODUCTS. REDUCING
THE COST PER POINT IN APPLYING THE
MULTI-SCANNING SYSTEM.



REFLEX/SCANFLEX

ULTRASONIC LEVEL INDICATOR

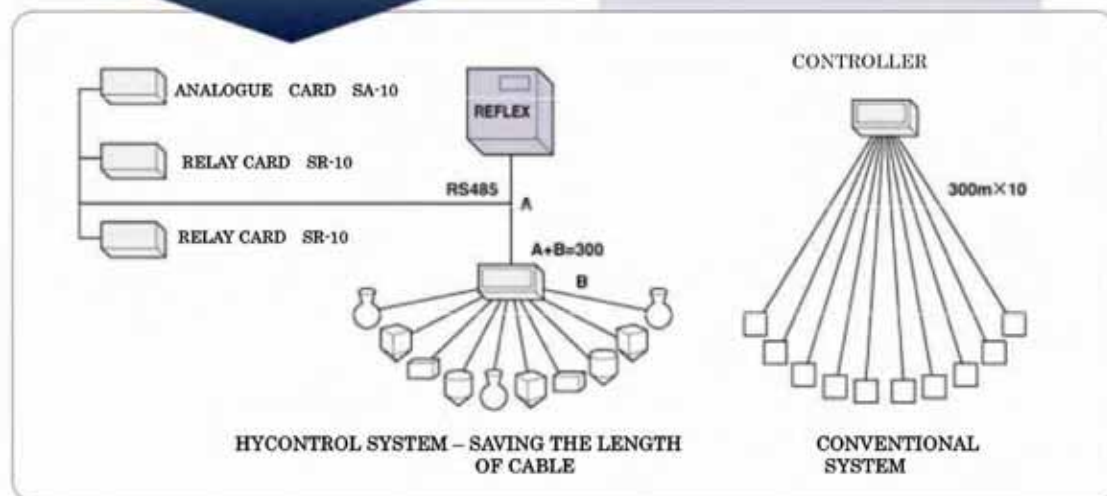


MULTI-POINT

Non Contact Ultrasonic Level Measurement System up to 10 points

SINGLE-POINT

Non Contact Ultrasonic Level Measurement System



HYCONTROL SYSTEM – SAVING THE LENGTH OF CABLE

CONVENTIONAL SYSTEM

WIDER RANGE OF PRODUCTS:

It is the multi-channel non-contact ultrasonic level controller for liquids, slurries and solids, which can measure from 1 up to 10 points, and hold the data to provide level information either sequentially or by manual selection. The range is up to 50 meters.

MEASUREMENT & CONTROL

Analogue outputs and up to four relays per point can be achieved by the addition of SA-10 analogue and SR-10 relay cards to the system.

FAST

Scanning of ten points can be achieved in under 30 seconds on liquid applications. Scan times are programmable but dependant on the application..

REDUCING COST

The Multiplexor SM-10, added to the Reflex, provides the opportunity to scan up to 10 separate points of level, considerably reducing the cost per point for each additional tank or silo monitored. The Multiplexor SM-10 can remotely be mounted from the Reflex.

SERIAL COMMUNICATIONS

RS232 port allows transfer of data for all 10 points of level, and provides the means for fast easy commissioning when using Vision System software.

SPECIFICATIONS

CONTROLLER

Measuring Range	0.5 - 50m(dependant on transducer)
Accuracy	±0.25%(ambient temperature 20°C)
Resolution	2m or 0.1% FS, whichever is the greater.
Blanking	Adjustable (Min. 0.5m - dependant on transducer)
Function	Linearization of 7 familiar tank shapes 10 Parshall flume curve 2 ways of flow evaluation and floodgate control 16 point linearizer Control of 9 pumps at separate points
Transducer	RXV15 , RXT15, RXM19 Series
Power Supply	110/230VAC ±10% 50/60Hz 12VA 24VDC ±10% 9W
Relay Output	5SPDT, 8A 250VAC / 8A 30VDC Resistive Fully programmable for 'Energise' / De-energise operation Set/ Reset & Fail condition
Analogue Output	4/20mA / 20 - 4mA into 750 ohms 16 bit. (Short circuit protected, opto ^r isolated on AC powered units)
Serial Output	RS232 / RS485
Indication	Multi - line
Memory	Non-volatile EEPROM (without battery)
Ambient Temp.	-40 - +70°C
Scan Rate	Programmable - Min 30 seconds
Housing	IP65 Polycarbonate
Dimensions	240H x 160W x 90D(mm)

● TRANSDUCER

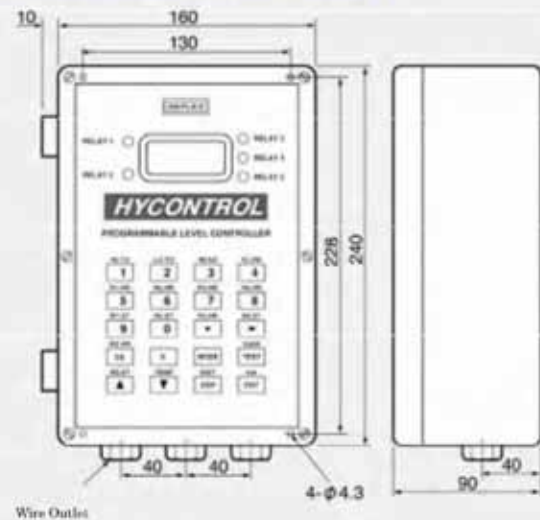
Reflex's ability to operate at different frequencies allows the use of the both RX15 and RX19 series of transducers, providing real flexibility in the field. The RXV15 and its temperature compensated derivative, RXT15, are the smallest long range transducers in the world: achieving reliable measurements up to 20m distance. They are certified for use in Zones 1 & 2 for gases, Z & Y for dusts and submersible to IP68.

Designed specifically for use on dusty particulate materials, the RX19 and RX19ER transducers offer low frequency and high power to penetrate through the heaviest of dust clouds to provide reliable, repeatable measurements of many products ranging from salt to raw coal.

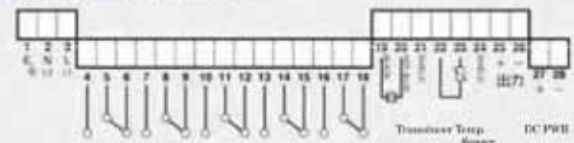
TYPE OF TRANSDUCER	RXV15 RXT15	RXV15T RXT15T	RXV15P RXT15P	RXM19	RXM19ER
Body Material	XENOY	→	→	Polypropylene	→
Face Material	Uthane	PTFE	Polypropylene	Polyethylene	→
Freq KHz	41.5	→	→	19	17
Beam Angle	10	→	→	→	5
Max Range (Liquids)	15m	→	20m	30m	50m
Max Range (Solids)	8m	→	12m	20m	35m
Temp. Degree C	-40 - +90	→	→	-20 - +60	→
Hazardous Area	EExmIT6	→	→	No	→
Water-proof	IP68	→	→	IP65	→
Weight	2.0	→	→	2.8	4.8
Mounting	M20	→	→	→	M32

OUTLINE DRAWING

OUTLINE DRAWING OF CONTROLLER

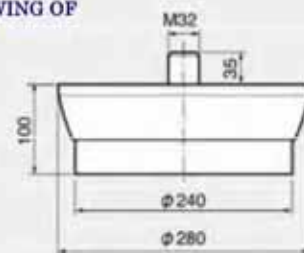


● CROSSLINE DRAWING

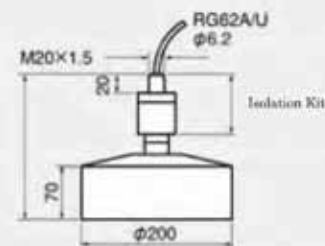


● OUTLINE DRAWING OF TRANSDUCER

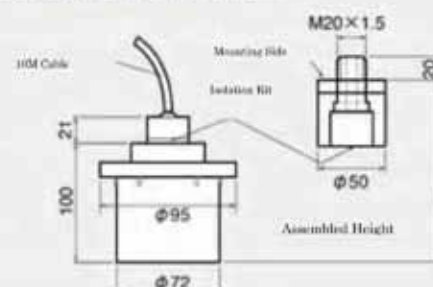
TYPE RXM19ER



TYPE RXM19



TYPE RXV15(T.P), RXT15(T.P)



REFLEX/SCANFLEX ULTRASONIC LEVEL INDICATOR

OPTION

MULTIPLEXOR SM10

Transducer Auto-switching in numerical order
Auto-switching of Temperature Compensation Electrode (when used)

Power Supply	110/230VAC ± 10% 50/60Hz Optional
Housing	IP65 Polycarbonate
Dimensions	300H x 230W x 90D(mm)

RELAY OUTPUT CARD SR10

2 x 8A / 260 VAC SPDT relays per point, (20 relays), 2 x SR-10 can be connected to provide 4 programmable relays per point. LED's indicate relay status.

Power Supply	110/230 VAC ± 10% 50/60Hz Optional
Housing	IP65 Polycarbonate
Dimensions	300H x 230W x 90D(mm)

ANALOGUE OUTPUT CARD SA10

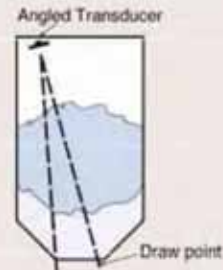
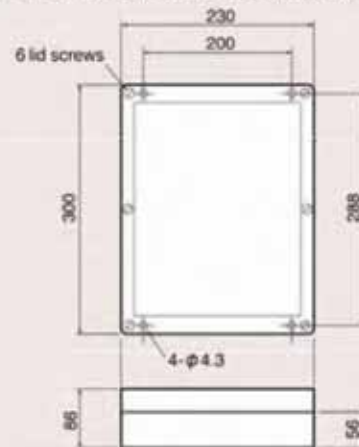
4-20mA, 750ohms, provides 10 analogue outputs, one for each point of measurement, Group isolated - 16 bit resolution

Power Supply	110/230 VAC ± 10% 50/60Hz Optional
Housing	IP65 Polycarbonate
Dimensions	300H x 230W x 90D(mm)

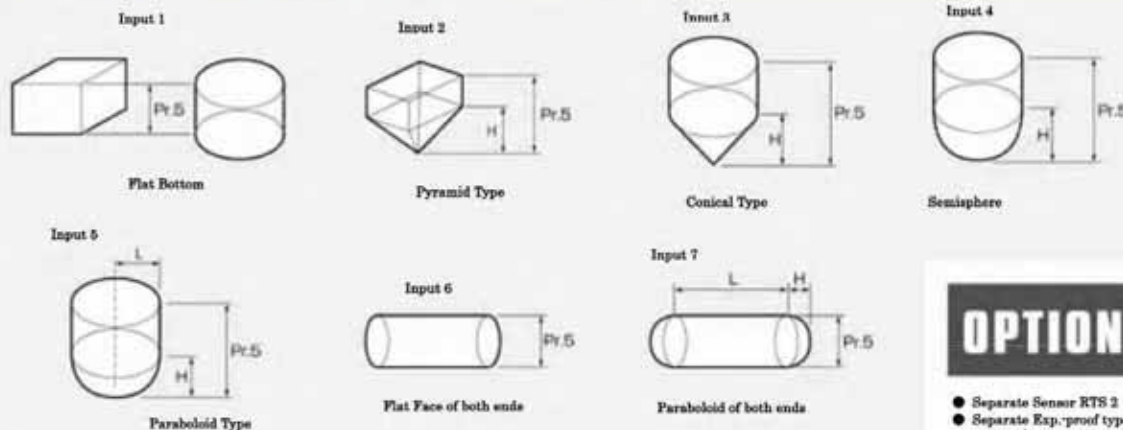
AIMING KIT (Recommended when measuring level of solids)

The kit can be used to allow the transducer to be angled towards the low level draw point to ensure level measurement in the tanks or silos containing powders and solids. Mounted off-center, with angle adjustment from outside the vessel, the kits are constructed from corrosion resistant PVC and easily installed, the aiming kits allow transducer aiming up to 20° off axis.

OUTLINE DRAWING OF SM10/ SR10/ SA10



CAPACITY CONVERSION MODEL OF STANDARD TANK (7 Shapes)



OPTION

- Separate Sensor RTS 2
- Separate Exp.-proof type RTS 2B
Sensor(Class: EExmII T6 / IP66)

URL: <http://www.kansai-automation.co.jp/> e-mail: info@kansai-automation.co.jp

Nuclear Power Generation to Rice Milling
All-round Manufacturer of Level Controllers for Powder, Granules and Liquid

KANSAI Automation Co., Ltd.

Headquarters : TEL. 81-6-6312-2071 FAX. 81-6-6314-0848

URL: <http://www.kansai-automation.co.jp>
e-mail: info@kansai-automation.co.jp

Headquarters: 2-14, Togano-cho, Kita-ku, Osaka 530-0056, Japan
Tel 81-6-6312-2071 Fax 81-6-6314-0848

Tokyo Branch: 1-29-6, Hamamatsu-cho, Minato-ku, Tokyo 105-0013, Japan
Tel 81-3-5777-0931 Fax 81-3-5777-0933

Nagoya Office: 3-31-27, Uchiyama, Chigusa-ku, Nagoya 464-0075, Japan
Tel 81-52-741-2432 Fax 81-52-741-1508

Kyushu Office: 1-2-39, Asano, Kokura Kita-ku, Kitakyushu 802-0001, Japan
Tel 81-93-511-4741 Fax 81-93-511-4580

代理店 / Agent