



MINIFLEX

ULTRASONIC LEVEL INDICATOR

MINIFLEX

COMPACT BUT HIGHLY FUNCTIONAL !

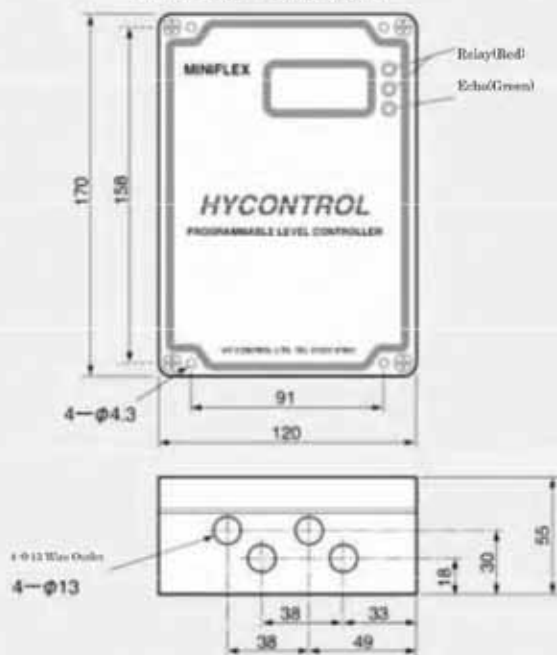


- Simple Mounting** ● Controller and transducer are separately supplied so that you may choose to have them mounted on either upperpart or underpart.
- Application** ● The display continuously shows the quantity inside a tank in real time. It can control or process data with PLC or the SCADA system subject to its output of 4-20mA.
- Alarm** ● It has two contacts of upper and under limit as standard equipment.
- Power** ● MINIFLEX can be operational with AC110 / 230V or DC24V.

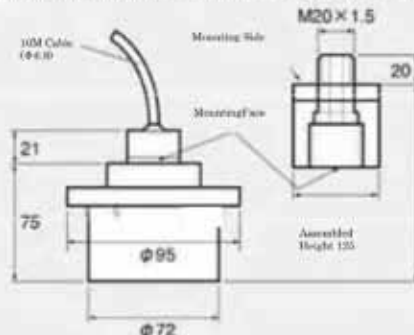
MINIFLEX ULTRASONIC LEVEL INDICATOR

OUTLINE DRAWING

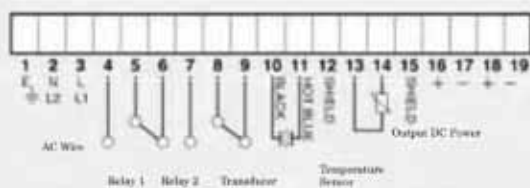
Outline Drawing of Controller



Outline Drawing of Transducer Model: RZV15(T)/RZT15(T)



Crossline Drawing



OPTION

- Separate Type of Temperature Sensor RTS1
- Explosion proof Type of Separate Temperature Sensor, RTS2B (Class: ExmII T6/IP65)

SPECIFICATIONS

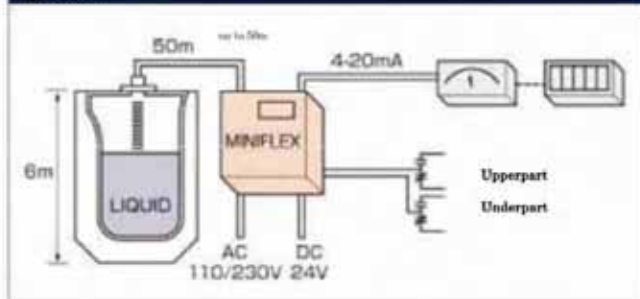
CONTROLLER

Power/ Voltage	110/230VAC ± 10% 50/60Hz 6VA, DC24 10% 5W
Relay Output	2SPDT 5A 250V AC/ 5A 30V DC Resistance Load
Analog Output	4-20 / 20-4mA, 750 Ω 16bit
Ambient Temp	-40 - +70°C
Indication	4 digit 12m LCD, LED Display(Relay Operational State, Echo)
Operation	Keypad 5 each
Housing	IP65 Polycarbonate 160H x 100W x 55L(mm) for Wall-hanging

TRANSDUCER

Type	RZV15 RZV15T	RZT15 RZT15T
Measuring Range	0.5 - 6m(Liquid, Slurry, Paste)	→
Measuring Mode	Level Height or Empty Distance	→
Accuracy	± 1.0%(Ambient Temp. 20°C)	→
Resolution	2m, or 0.1% FS whichever greater	→
Blanking	Possibly adjust (Min 0.3m. Recommend to set over 0.45m)	→
Outgoing Frequency	41.5kHz	→
Beam Angle	10° (3dB)	→
Housing	Xenom Resin	→
Face Material	RZV15: Polyurethane RZV15T: PTFE	RZT15: Polyurethane RZT15T: PTFE
Temperature Compensation	Separate Type RTS2, Explosion-proof Separate Type RTS2B Sensor	Built-in Thermistor
Process Temp. (Explosion-proof Area)	-40 - +90°C	→
Waterproof	IP68	→
Hazardous Area	CENELEC EExmII T6 zone 1, 2	→
Pressure	Max. 0.2MPa	→
Mounting	M20 x 1.5m	→

LAYOUT



Nuclear Power Generation to Rice Milling
All-round Manufacturer of Level Controllers for Powder, Granules and Liquid

KANSAI Automation Co., Ltd.

Headquarters : TEL. 81-6-6312-2071 FAX. 81-6-6314-0848

URL : <http://www.kansai-automation.co.jp>

e-mail : info@kansai-automation.co.jp

Headquarters: 2-14, Togano-cho, Kita-ku, Osaka 530-0056, Japan
Tel 81-6-6312-2071 Fax 81-6-6314-0848

Tokyo Branch: 1-29-6, Hamamatsu-cho, Minato-ku, Tokyo 105-0013, Japan
Tel 81-3-5777-6931 Fax 81-3-5777-6933

Nagoya Office: 3-31-27, Uchiyama, Chigusa-ku, Nagoya 464-0075, Japan
Tel 81-52-741-2432 Fax 81-52-741-1588

Kyushu Office: 1-2-39, Asano, Kokura Kita-ku, Kitakyushu 802-0001, Japan
Tel 81-93-511-4741 Fax 81-93-511-4580

代理店/Agent