



**HYCONTROL**

# ULTRASONIC LEVEL INDICATOR

## LIQUIFLEX

**HIGHLY RELIABLE AND VERSATILE  
NON-CONTACT SENSOR TECHNOLOGY**  
SUITABLE FOR LEVEL/FLOW MEASUREMENT, PUMP &  
DIFFERENTIAL CONTROL



### **SIMPLE OPERATION**

Neither complex coding nor programming is required. You can quickly have an access via a built-in keypad. You can retrieve data with no problem even when it is measuring.

### **SECURITY**

You can protect an illegal access with the password.

### **DUAL VOLTAGE**

It automatically detects 110/230VAC, 50/60Hz. It may use DC low-power for safety or 24VDC as a back-up for power failure.

### **HARDWARE**

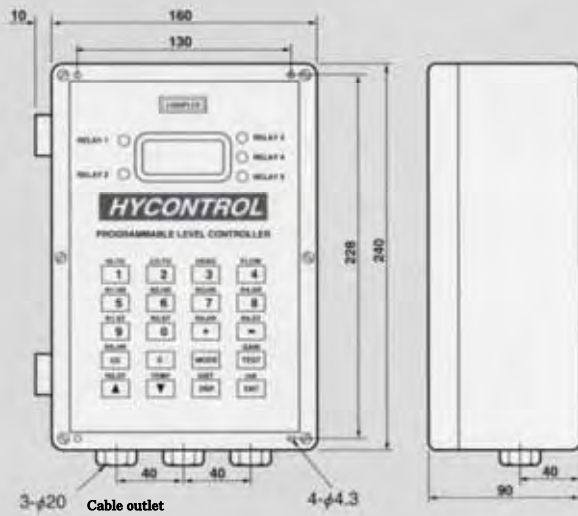
It can indicate in cm, m3, gallon & %. Relay can discretely be set up to "ON" either when energized or de-energized. Analogue output can be set up to any point within the measuring range.



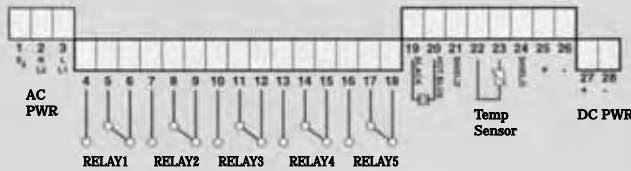
# LIQUIFLEX ULTRASONIC LEVEL INDICATOR

## OUTLINE DRAWING

### CONTROLLER

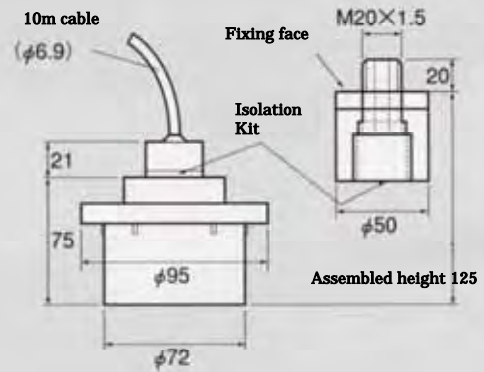


### WIRE CONEX



### TRANSDUCERS

MODEL: RZV15(T) / RZT15(T)



## OPTION

Separate Type of Temperature Sensor RTS2  
Explosion-proof Type of Separate Temperature Sensor, RTS2B (Class: EExmII T6/IP65)

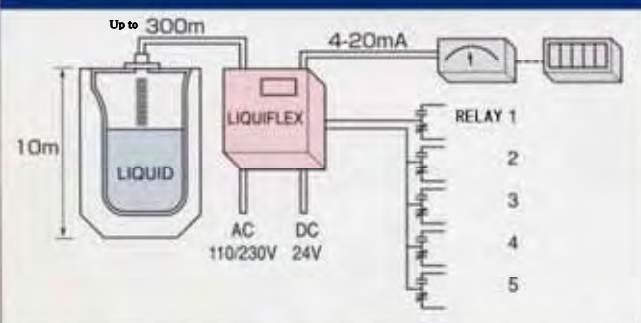
## SPECIFICATIONS

### CONTROLLER

Power Supply	110/230VAC ± 10% 50/60Hz, 12VA, Automatic Selection 24VDC ± 10% 9W Independent Terminal
Relay Outputs	5 SPDT 8A 250VAC / 8A 30VDC, resistive, with gold coating contacts for low power switching.
Analogue Output	4-20 / 20-4mA, 750 Ohms, 16 bit, short circuit protected and opto-isolated on AC powered unit
Ambient Temp.	-40 - +70
Indication	4 digit 12mm LCD, 5 red LED to indicate relay status.
Operation	5 x 4 keypad(non-projective), can set up 4 digit password

	Wall - hanging Type	Panel built-in Type
Enclosure	IP65 polycarbonate	Noryl DIN437000 Panel built-in IP55 (front), IP20 (back)
Dimensions	240H x 160W x 90D (mm)	144H x 96W x 140D (mm)
Weight	1.75kg	1.75kg

### LAYOUT



### TRANSDUCER

Model	RZV15 RZV15T	RZT15 RZT15T
Measuring Range	0.5 - 10m (Liquid, Slurry, Paste)	
Measuring Mode	Liquid level or Empty Distance, Open channel flow	
Accuracy	± 0.25% (Ambient Temp. 20 °)	
Resolution	2mm or 0.1% FS, whichever is greater	
Failsafe	High, low or hold	
Blanking	Fully adjustable (Min. 0.3m but over 0.45m)	
Function	7 standard tank shapes for volume conversion 10 Parshall flume curves 2 Flow laws + penstock control 16 point linearization 9 separate pump control functions	
Outgoing Frequency	41.5kHz	
Beam Angle	10 ° (3db)	
Housing	Xenon Resin	
Face Material	RZV15: Polyurethane RZV15T: PTFE	RZT15: Polyurethane RZT15T: PTFE
Temp Compensation	Separate Sensor RTS 2, Separate Exp-proof type RTS2B Sensor	Built-in thermistor
Process Temp (Exp-proof area)	-40 - +90 (-20 - +60 °)	
Water-proof	IP68	
Hazardous Area	CENELEC EExmII T6 Zone 1, 2	
Pressure	Max. 0.2MPa	
Mounting	M20 x 1.5mm	

Nuclear Power Generation to Rich Mining  
Advanced Manufacture of Level Controllers for Power Generation and Liquid

**KANSAI Automation Co., Ltd.**

Headquarters: TEL: 81-6-6312-2071 FAX: 81-6-6314-0848

URL: <http://www.kansai-automation.co.jp>  
e-mail: info@kansai-automation.co.jp

Headquarters: 2-14 Togaicho, Itaka, Osaka 530-0096 Japan

Tel: 81-6-6312-2071 Fax: 81-6-6314-0848

Tokyo Branch: 1-28-6 Nishinomiya-cho, Nishinomiya, Tokyo 190-8512 Japan

Tel: 81-3-5777-8821 Fax: 81-3-5777-8828

Nagoya Office: 3-21-27 Ichiyama, Chikusa-ku, Nagoya 464-0616 Japan

Tel: 81-52-741-2432 Fax: 81-52-741-1588

Kyushu Office: 1-2-28 Akari, Kiyama City, Kyushu 812-0891 Japan

Tel: 81-95-211-4741 Fax: 81-95-211-4540

代理店 / Agent