

# SMALL TYPE FLOAT SWITCH

All-purpose Float Switch of Compact-size



**Ideal for a small tank!!**  
**Highly sophisticated model of Compact Float Switch**  
**applicable to multipurpose!!**

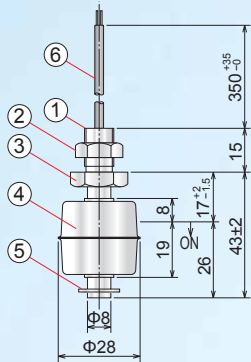
**ONE-POINT-MEASUREMENT**

Material: Stainless Steel

**RFS-2**

Standard Type

Heat-proof Temperature  
MAX.120°C



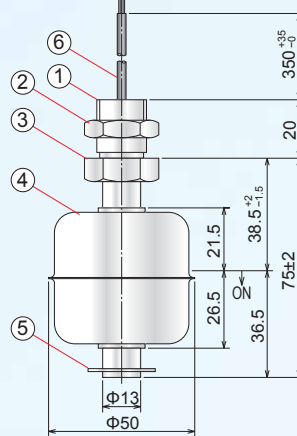
No.	Parts name	Material	Qty
1	Process Connection	G 1/8B	
2	Nut	304SS	1
3	Main body	304SS	1
4	Float	304SS	1
5	Stopper	304SS	1
6	Lead wire	AWG22	2



**RFS-6**

High Temperature(Heat-proof) Type

Heat-proof Temperature  
MAX.200°C



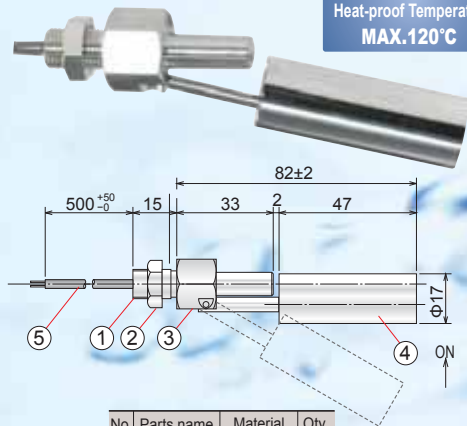
No.	Parts name	Material	Qty
1	Process Connection	G 3/8B	
2	Nut	304SS	1
3	Main body	304SS	1
4	Float	304SS	1
5	Stopper	304SS	1
6	Lead wire	AWG22	2



**RFS-11A**

Horizontal-mounting Type

Heat-proof Temperature  
MAX.120°C



No.	Parts name	Material	Qty
1	Process Connection	G 1/8B	
2	Nut	304SS	1
3	Main body	304SS	1
4	Float	304SS	1
5	Lead wire	AWG22	2

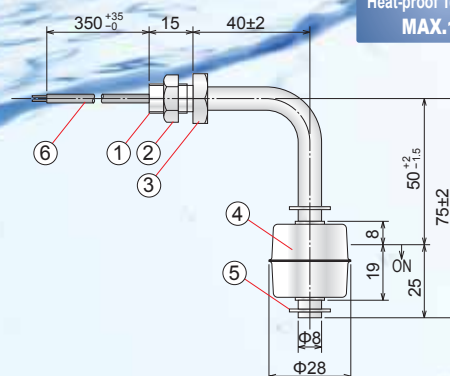


**SMALL TYPE  
FLOAT SWITCH**

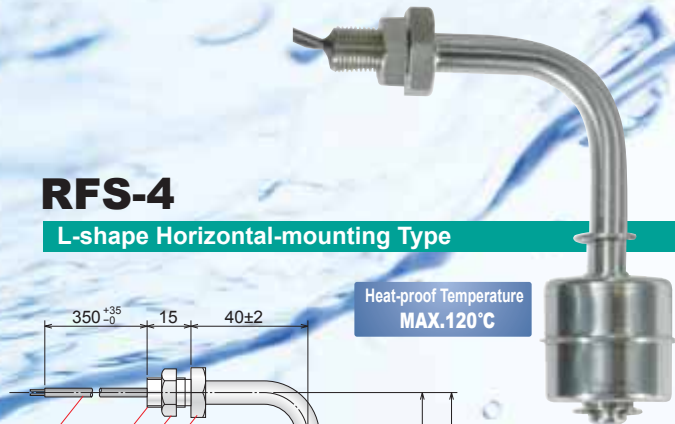
**RFS-4**

L-shape Horizontal-mounting Type

Heat-proof Temperature  
MAX.120°C



No.	Parts name	Material	Qty
1	Process Connection	G 1/8B	
2	Nut	304SS	1
3	Main body	304SS	1
4	Float	304SS	1
5	Stopper	304SS	1
6	Lead wire	AWG22	2



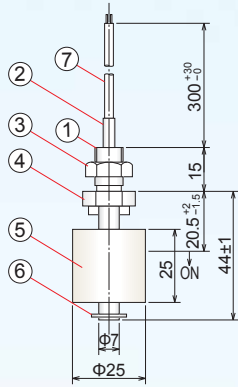
# ONE-POINT-MEASUREMENT

Material: Polypropylene

## MFS17-C

Standard Type

Heat-proof Temperature  
MAX.80°C



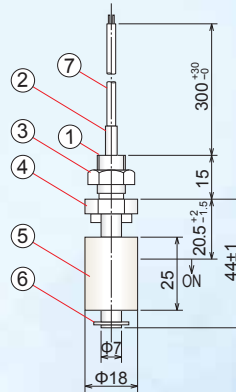
No.	Parts name	Material	Qty
1	Process Connection	G 1/8B	
2	Protective tube	Vinyl	1
3	Nut	P.P.	1
4	Main body	P.P.	1
5	Float	P.P. Foamed	1
6	Stopper	304SS (P.P.)	1
7	Lead wire	AWG22	2



## MFS17-D

Compact Float Type

Heat-proof Temperature  
MAX.80°C



No.	Parts name	Material	Qty
1	Process Connection	G 1/8B	
2	Protective tube	Vinyl	1
3	Nut	P.P.	1
4	Main body	P.P.	1
5	Float	P.P. Foamed	1
6	Stopper	304SS (P.P.)	1
7	Lead wire	AWG22	2



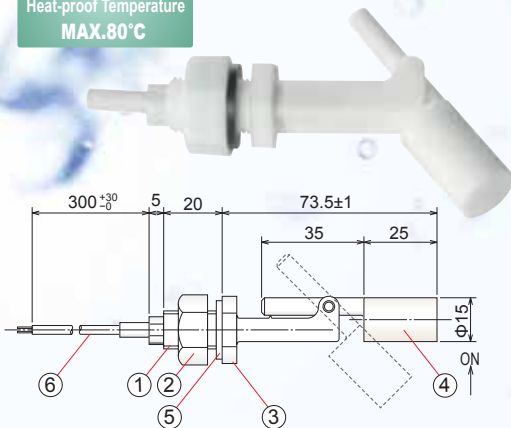
**All-purpose Float Switch of Compact-size**  
**Abundant models can delicately respond to diversified environments.**

●The simple structure makes your handling easier.●Few failures come up with the longer life.

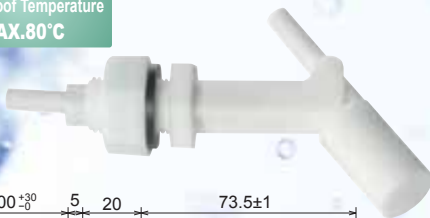
## MFS9-N1

Horizontal-mounting Type (Process Connection G 1/4B)

Heat-proof Temperature  
MAX.80°C



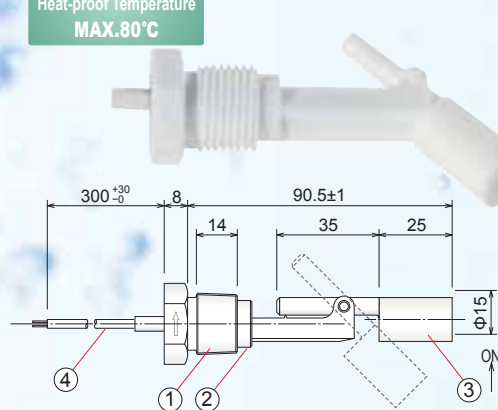
No.	Parts name	Material	Qty
1	Process Connection	G 1/4B	
2	Nut	P.P.	1
3	Main body	P.P.	1
4	Float	P.P. Foamed	1
5	Packing	EPT	1
6	Lead wire	AWG22	2



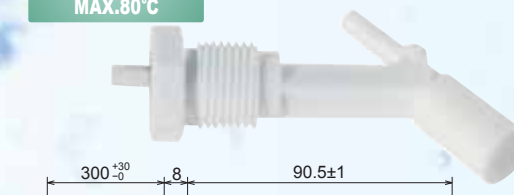
## MFS10-N1

Horizontal-mounting Type (Process Connection NPT 1/2)

Heat-proof Temperature  
MAX.80°C



No.	Parts name	Material	Qty
1	Process Connection	NPT1/2	
2	Main body	P.P.	1
3	Float	P.P. Foamed	1
4	Lead wire	AWG22	2



## MULTI-POINT MEASUREMENT

With Terminal box

### KS30

Material : Stainless steel

Heat-proof Temperature  
MAX.100°C



Process Connection	Flange JIS5K32A 304SS
Float	Φ30*30 304SS
Stopper	304SS
Liquid Density	Over 0.75
Max Switching Capacity	AC50VA DC50W

(Detection point 1 - 5)

### KS30TH

Material : Stainless steel

Heat-proof Temperature  
MAX.200°C



Process Connection	Flange JIS5K50A 304SS
Float	Φ51*40 304SS
Stopper	304SS
Liquid Density	Over 0.65
Max Switching Capacity	220VAC 0.5A 110VDC 0.3A

(Detection point 1 - 3)

### KSPB

Material : Stainless steel

Heat-proof Temperature  
MAX.100°C



Process Connection	R1-1/4 304SS equiv
Float	Φ30*30 304SS
Stopper	304SS
Liquid Density	Over 0.75
Max Switching Capacity	AC50VA DC50W

(Detection point 1 - 5)

## MULTI-POINT MEASUREMENT

Without Terminal box

### KS3

Material : Stainless steel

Heat-proof Temperature  
MAX.100°C



Process Connection	M12*P1.25 Screw 304SS
Float	Φ30*30 304SS
Stopper	304SS
Liquid Density	Over 0.75
Max Switching Capacity	AC50VA DC50W

(Detection point 1 - 5)

### KV3

Material: PVC

Heat-proof Temperature  
MAX.50°C



Process Connection	M20*P2.5 Screw PVC
Float	Φ44*25 PVC
Stopper	PVC
Liquid Density	Over 0.8
Max Switching Capacity	AC50VA DC50W

(Detection point 1 - 3)

### KP3

Material: Polypropylene

Heat-proof Temperature  
MAX.100°C



Process Connection	M14*P1.5 Screw PP
Float	Φ25*27 PP
Stopper	PTFE
Liquid Density	Over 0.75
Max Switching Capacity	AC50VA DC50W

(Detection point 1 - 3)

### Line of business

- Rotary Paddle Type Level Switch
- Vibration Type Level Switch
- Swing Type Level Switch
- Acoustic Level Switch
- Capacitance Type Level Switch
- Capacitive Proximity Sensor
- Capacitance Type Level Indicator
- Diaphragm Type Level Switch
- Tilt Switch
- Leak Type Level Switch
- Microwave Switch
- Sounding Bob Type Level Indicator
- Flow Switch
- Conductance Type Level Switch
- Float Switch
- Float Type Level Indicator
- Ultrasonic Type Level Indicator
- Equipments For Conveyor Lines
- Dust Monitor System
- Zirconia Oxygen Analyzer
- Laser Type Level Indicator
- RADAR Type Level Indicator
- On-line Sensors for Accurate Liquid Analysis
- Ultrasonic Flow meter

\*Please be sure to read USER'S GUIDE, Installation & Operation Instructions before using the instrument.

\*The specifications herein may be subject to change without advance notice.

Nuclear Power Generation to Rice Milling  
All-round Manufacturer of Level Controllers for Powder, Granules and Liquid

**KANSAI Automation Co.,Ltd.**

Headquarters :  
2-14, Togano-cho, Kita-ku, Osaka 530-0056, Japan  
TEL. 81-6-6312-2071 FAX. 81-6-6314-0848  
e-mail: info@kansai-automation.co.jp

<http://www.kansai-automation.co.jp>

Tokyo Branch : 1-29-6, Hamamatsu-cho, Minato-ku, Tokyo 105-0013, Japan  
TEL. 81-3-5777-6931 FAX. 81-3-5777-6933

Nagoya Office : 3-31-27, Uchiyama, Chigusa-ku, Nagoya 464-0075, Japan  
TEL. 81-52-741-2432 FAX. 81-52-741-1588

Kyushu Office : 1-2-39, Asano, Kokura Kita-ku, Kitakyushu 802-0001, Japan  
TEL. 81-93-511-4741 FAX. 81-93-511-4580



Design, development, and manufacture of level measuring sensors

Agent