



MICROPROCESSOR CONTROL
SOUNDING LEVEL METER

KSL-DS4

DIGITALLY INDICATE QUANTITY WITH ONE-TOUCH OPERATION

CONTROLLER



MICROPROCESSOR CONTROL SYSTEM

SOUNDING LEVEL METER

KSL – DS4 CONTROLLER



- Selecting a Tank with One-touch Operation
- Discretionary Detection by Application
- Intelligent Diagnosis, Equipped with Memory Function

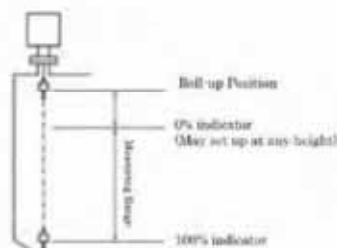
System Outline

The descent distance of measuring tape/wire may be converted to the stock volume in a tank. The detector detects in a mechanical manner. The measuring findings are shown by height(m), %, ton, m^3 . You can select an indication of either Remains or Vacated Portion.

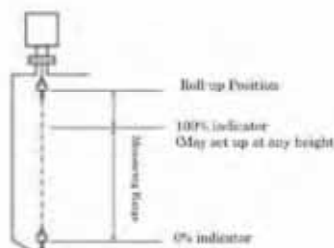


■ Features

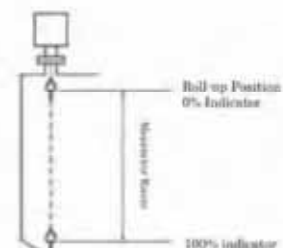
1. Taking a mechanical detecting measurement, it can reliably operate regardless of fluctuations of the measuring substance or possible noises.
2. If you have only to push a measuring button of any tank, you can select the tank you want and start measuring.
3. As it is a so-called smart controller to be linked with 4 units (8 as option), you can utilize the storage box effectively.
4. You can build up a safer and more reliable system with applicable ones that you select out of a variety of detectors depending on the tank height, measuring substances and conditions.
5. All you need is to set up controllers in the operator's room. You do not need any adjustment work on a tank.
6. You can safely operate the system (depending on a detector you select) in fulfilling diagnostic function (burial, measure cut-off).
7. Even in case of power-off, the formerly measured and set values can be retained with CPU and memory installed.
8. You can use a common control cable for wiring between a detector and a controller. There is no limit for extension.



KSL-DS4/Indicate Vacated Portion



KSL-DS4/Indicate Remains



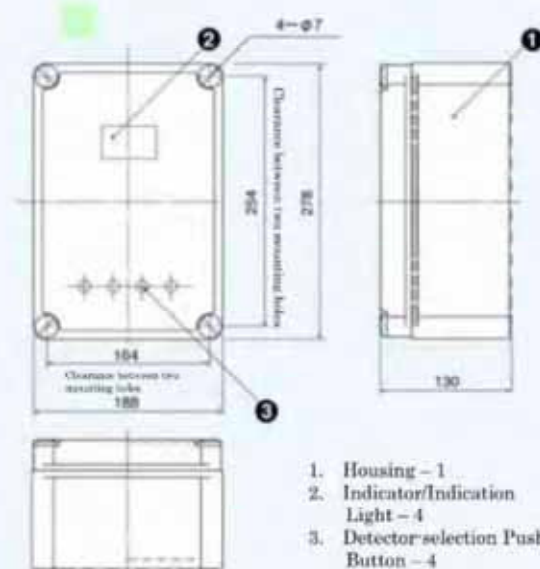
Other Firms/Indicate Vacated Portion

Controller Standard Specifications

Housing Type	: Indoor Wall-mounted Type(W188 x H278 x D130mm)
Tolerable Temperature	: 0 – 50°C
Power	: 100VAC or 200VAC± 10% 50/60Hz
Configured Detector	: Select from KSL-W2B, W3, T2, T8(AU model) and so on.
Number of Connected Detectors:	4 units(S as option)
Cable Type	: Regular Control Cable(No extension limit)
Number of Cable Cores	: W2B – 6 cores W3, T2, T8(AU model) – 7 cores
Measuring Range	: 0 – 20m(T2, T8(AU model) Option Max. 40m) – Varied by a selected detector
Indicator	: 7-segment LED(W8 x H14.2mm)
Level Indication	: Height(m), Specific Volume Bulk(%), Conversion(m ³ , ton) – No unit indicated
Indication Format	: Set up to indicate either vacated portion or remains.
Indicated Conversion Values	: Discretional(in the range of 0 to 999)
Memory Function	: EEPROM, Set Values or Values formerly measured
Diagnostic Function	: Burial Alarm, Measure Cut-off Alarm – depend on Selected Detector
External Output	: Not available(display only).



Dimensions of Controllers

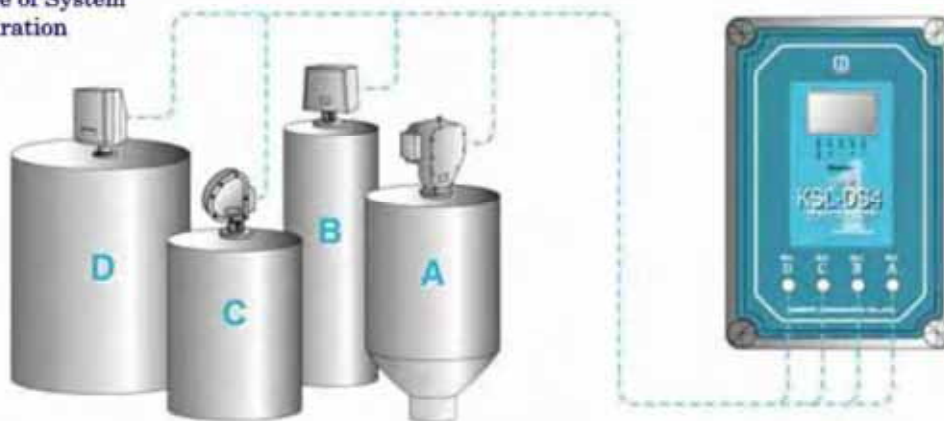


1. Housing – 1
2. Indicator/Indication Light – 4
3. Detector-selection Push Button – 4

Example of Application

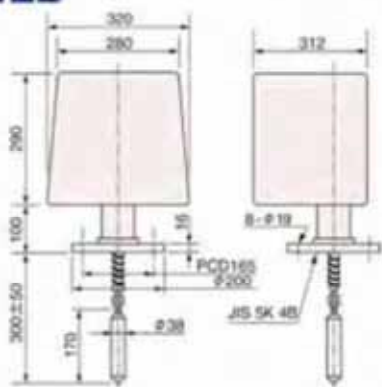
- a) Batch Plant : Cement Aggregate
- b) Cement Service Station: Cement
- c) Asphalt Plant : Chamotte, Aggregate
- d) Breading/Noodle Production/Confectionery Plant : Flour, Secondary Materials
- e) Plastic Process Plant : Plastic Powder/Pellet
- f) Feed Mill/Feed Distribution Center : Mixed Feed(Powder/Pellet)
- g) Rice Milling/Barley Cleaning Plant : Rice, Barley

Example of System Configuration



Detector Standard Specifications

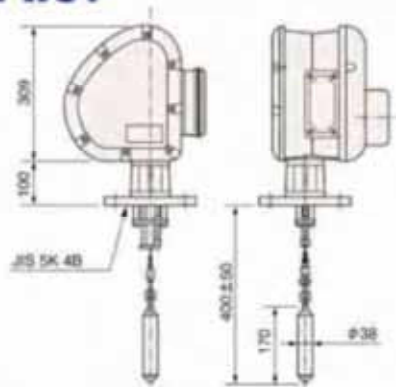
KSL-W2B



Standard Specifications

Measuring Range	0 - 200g (adjustable)	Power Capacity	10VA
Measures	Wet 5L/50L	Mounting Dimension	425K (DIN43699)
	φ 1.0mm	Weight	150g
Cut-off Load	150g	Cable Guard	φ 27 × 1
Power	100VAC or 200VAC φ 1.3A/0.6A	Protection Grade	IP-31 or equivalent
		Mounting Speed	1.5 seconds (0.5Hz)
		Update	50Hz

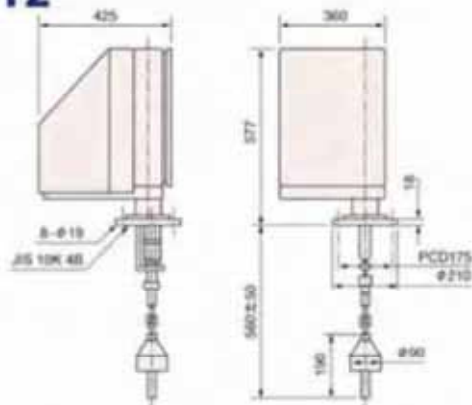
KSL-W3T



Standard Specifications

Measuring Range	0 - 200g (adjustable)	Power Capacity	10VA
Measures	Type 3L/30L	Mounting Dimension	425K (DIN43699)
	10mm × 0.2mm	Weight	150g
Cut-off Load	150g	Cable Guard	φ 27 × 1
Power	100VAC or 200VAC φ 1.3A/0.6A	Protection Grade	IP-31 or equivalent
		Mounting Speed	1.5 seconds (0.5Hz)
		Update	50Hz

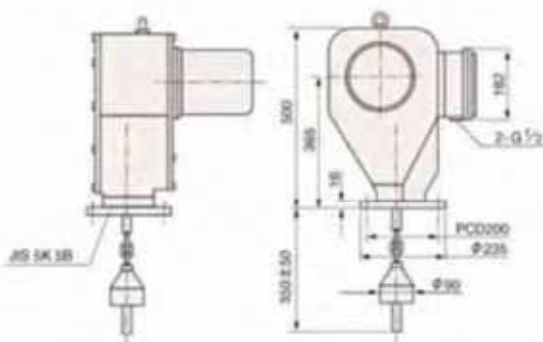
KSL-T2



Standard Specifications

Measuring Range	0 - 200g (Max. also optional) (1 pulse = 100g)	Power Capacity	10VA
Measures	Type 5L/50L	Mounting Dimension	JIS10K (DIN43699)
	10mm × 0.2mm	Weight	150g
Cut-off Load	100g	Cable Guard	φ 27 × 1
Power	100VAC or 200VAC φ 1.3A/0.6A	Protection Grade	IP-31 or equivalent
		Mounting Speed	1.5 seconds (0.5Hz)
		Update	50Hz

KSL-T8



Standard Specifications

Measuring Range	0 - 200g (Max. also optional)	Power Capacity	10VA
Measures	Type 10L/10L	Mounting Dimension	JIS10K (DIN43699)
	10mm × 0.2mm	Weight	40g
Cut-off Load	100g	Cable Guard	2-φ12
Power	100VAC or 200VAC φ 1.3A/0.6A	Protection Grade	IP-31 or equivalent
		Mounting Speed	1.5 seconds (0.5Hz)
		Update	50Hz

◎予告なく仕様変更することがありますので予めご了承下さい。
Specifications and descriptions of this catalog are subject to change without notice for improvement.

■ 営業品目 HANDLING ITEMS

- ① 回転式レベルスイッチ
Rotary Float Type Level Switch
- ② 振動式レベルスイッチ
Vibration Type Level Switch
- ③ 音波式レベルスイッチ
Acoustic Level Switch
- ④ 静電容量式レベルスイッチ
Capacitance Type Level Switch
- ⑤ 静電容量式近接センサ
Capacitance Proximity Sensor
- ⑥ 静電容量式レベルメータ
Capacitance Type Level Indicator
- ⑦ ダイヤフラム式レベルスイッチ
Diaphragm Type Level Switch
- ⑧ チルトスイッチ
Tilt Switch
- ⑨ リーク式レベルスイッチ
Leak Type Level Switch
- ⑩ マイクロウェーブスイッチ
Microwave Switch

- ⑪ サウンディング式レベルメータ
Sounding Bob Type Level Indicator
- ⑫ フロースイッチ
Flow Switch
- ⑬ 電極式レベルスイッチ
Electrode Type Level Switch
- ⑭ フロートスイッチ
Float Switch
- ⑮ フロート式レベルメータ
Float Type Level Indicator
- ⑯ 超音波式レベルメータ
Ultrasonic Type Level Indicator
- ⑰ コンベア周辺機器
Equipment For Conveyor Lines
- ⑱ ダストモニタ
Dust Monitor
- ⑲ レーザー式レベルメータ
Laser Type Level Indicator
- ⑳ 電液式レベルメータ
Hydro Type Level Indicator
- ㉑ 液体分析オンラインセンサ
On-Line Sensor for Aqueous Liquid Analysis

ご使用に際しては取扱説明書を必ずお読み下さい。
Please surely read the instruction manual when you operate instruments.

Nuclear Power Generation to Rice Milling
All-round Manufacturer of Level Controllers for Powder, Granules and Liquid

KANSAI Automation Co., Ltd.

Headquarters : TEL. 81-6-6312-2071 FAX. 81-6-6314-0848
URL : <http://www.kansai-automation.co.jp>
e-mail : info@kansai-automation.co.jp

Headquarters: 2-14, Togano-cho, Kita-ku, Osaka 530-0056, Japan
Tel 81-6-6312-2071 Fax 81-6-6314-0848

Tokyo Branch: 1-29-6, Hamamatsu-cho, Minato-ku, Tokyo 105-0013, Japan
Tel 81-3-5777-6931 Fax 81-3-5777-6933

Nagoya Office: 3-31-27, Uchiyama, Chigusa-ku, Nagoya 464-0075, Japan
Tel 81-52-741-2432 Fax 81-52-741-1588

Kyushu Office: 1-2-39, Asano, Kokura Kita-ku, Kitakyushu 802-0001, Japan
Tel 81-93-511-4741 Fax 81-93-511-4580

代理店/Agent