

MULTI-POINT CAPACITANCE TYPE LEVEL SWITCH

Model **KCD**



NO MOVING PART!! FIVE-POINT OUTPUT!!

KCD Multi-point Capacitance Type Level Switch

WE HAVE INVENTED THE 5-POINT OUTPUT WITH AN ELECTRODE!



THE DETECTION POSITION CAN ARBITRARILY BE CHANGED!

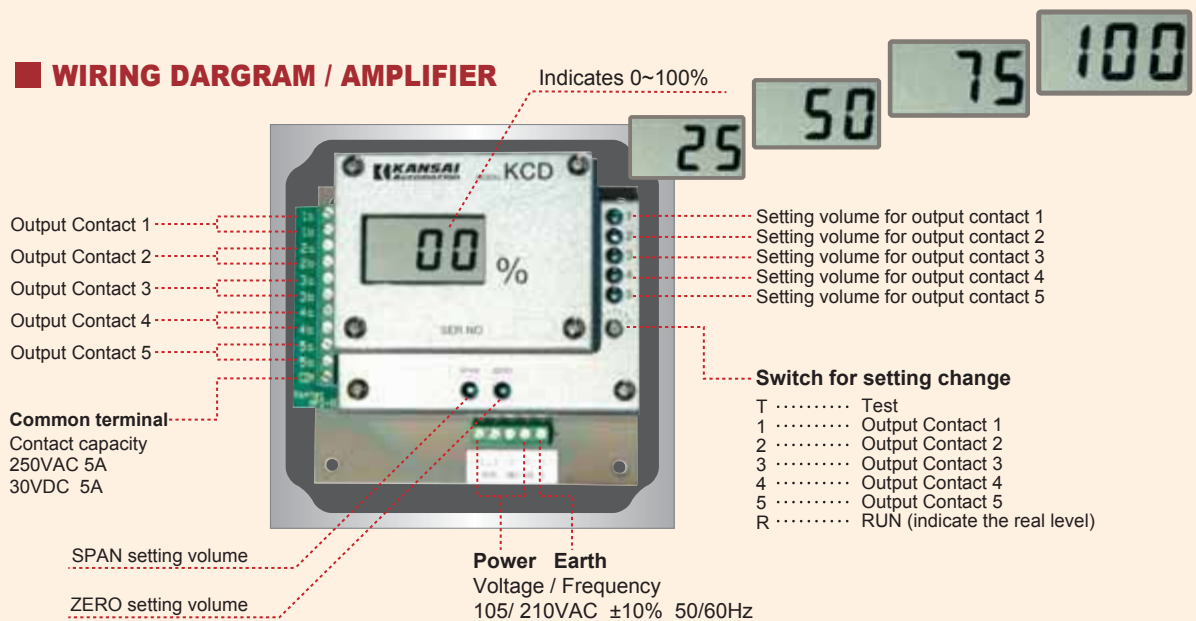
CAPACITANCE TYPE SERIES FOR CONTACT LEVEL MEASUREMENT.

Reliably detecting level for liquids
(Conductive Liquids / $\Delta C = 300 - 800\text{pF}$)

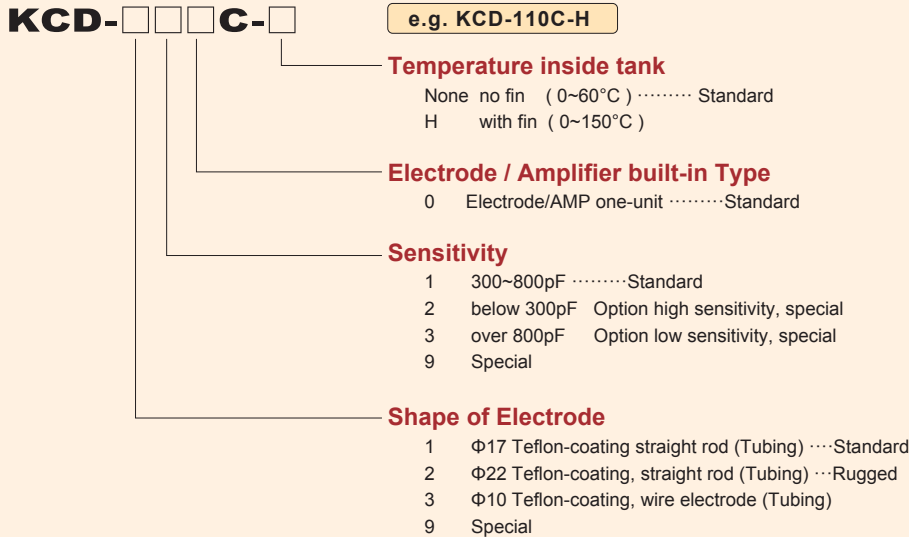
FEATURES

- You can easily set 5 points via digital display by way of zero span adjustment only.
- As opposed to a level switch whose contact position is fixed, you can arbitrarily change the alarm position if it is within the measuring range of the electrode.
- Alarm operative direction (ON when a liquid level rises, or ON when the level comes down) can be changed by selecting the proper terminal on the amplifier PCB.
- Even when the tank material is other than metal, it can fully operate with an auxiliary electrode installed or with an earth of a metal tape provided outside of the tank.

WIRING DIAGRAM / AMPLIFIER

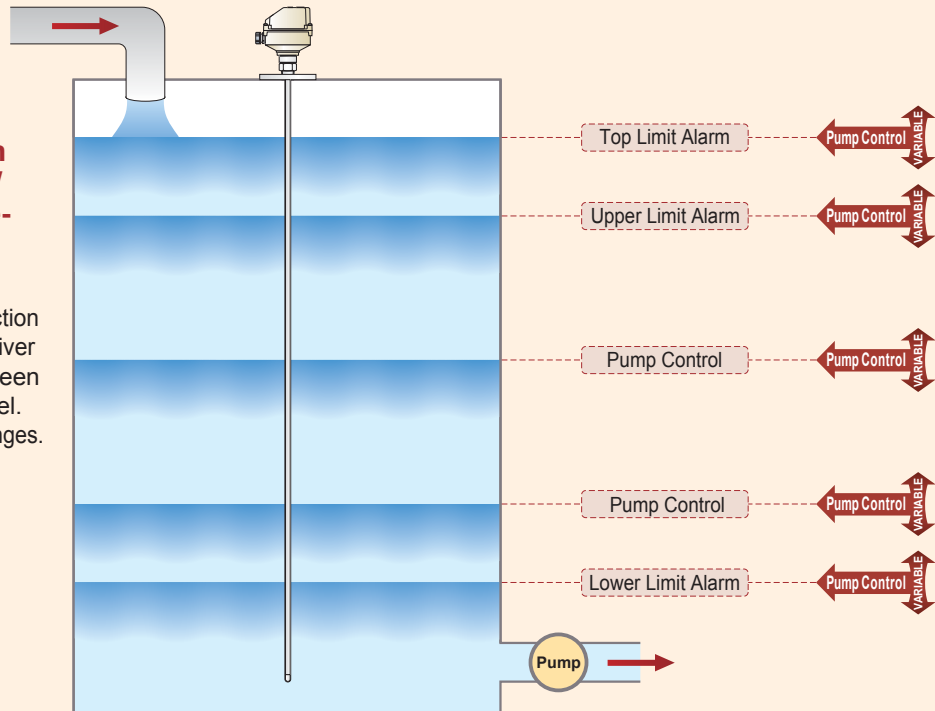


DESIGNATION OF MODEL



Just a KCD model can control water supply / drainage and provide respective alarm

It is so simple to change a detection position with a flathead screwdriver while watching the display screen without changing the liquid level. Flexibly responds to process changes.



Line of business

- Rotary Paddle Type Level Switch
- Vibration Type Level Switch
- Swing Type Level Switch
- Acoustic Level Switch
- Capacitance Type Level Switch
- Capacitive Proximity Sensor
- Capacitance Type Level Indicator
- Diaphragm Type Level Switch
- Tilt Switch
- Leak Type Level Switch
- Microwave Switch
- Sounding Bob Type Level Indicator
- Flow Switch
- Conductance Type Level Switch
- Float Switch
- Float Type Level Indicator
- Ultrasonic Type Level Indicator
- Equipments For Conveyor Lines
- Dust Monitor System
- Zirconia Oxygen Analyzer
- Laser Type Level Indicator
- RADAR Type Level Indicator
- On-line Sensors for Accurate Liquid Analysis
- Ultrasonic Flow meter

*Please be sure to read USER'S GUIDE, Installation & Operation Instructions before using the instrument.

*The specifications herein may be subject to change without advance notice.

Nuclear Power Generation to Rice Milling
All-round Manufacturer of Level Controllers for Powder, Granules and Liquid

KANSAI Automation Co., Ltd.

Headquarters :
2-14, Togano-cho, Kita-ku, Osaka 530-0056, Japan
TEL. 81-6-6312-2071 FAX. 81-6-6314-0848
e-mail: info@kansai-automation.co.jp

<http://www.kansai-automation.co.jp>

Tokyo Branch : 1-29-6, Hamamatsu-cho, Minato-ku, Tokyo 105-0013, Japan
TEL. 81-3-5777-6931 FAX. 81-3-5777-6933

Nagoya Office : 3-31-27, Uchiyama, Chigusa-ku, Nagoya 464-0075, Japan
TEL. 81-52-741-2432 FAX. 81-52-741-1588

Kyushu Office : 1-2-39, Asano, Kokura Kita-ku, Kitakyushu 802-0001, Japan
TEL. 81-93-511-4741 FAX. 81-93-511-4580



Design, development, and manufacture of level measuring sensors

Agent