



**PARTICULATE MONITORING SYSTEM
SOLIDS FLOW MONITORING
FOR PNEUMATIC CONVEYING SYSTEMS**



POWDER FLOW MONITOR

**ELECTRODYNAMIC
TECHNOLOGY**

FM60



- SIGNIFICANT RESOLUTION, EASY OPERATION
- CATCHING THE SHIFT OF RELATIVE FLOW
- CONTRIBUTING TO IMPROVED PROCESS CONTROL
- IDEAL FOR AUTOMATIC CONTROL OF POWDER FLOW

**OUT-
LINE**

The FM60 model of Powder Flow Monitor is a new type of powder flow sensor utilizing PCME's electrodynamic technology, detecting changes in flow rate as well as solids flow/no flow transitions.

FM60

■ SPECIFICATIONS

FEATURES OF POWDER FLOW MONITOR

- It may not be affected by fouling or build-up on the sensor. If the product build-up is highly conductive, it is necessary to secure air purging to maintain an insulation resistance..
- Having no moving part, it can maintain its function with minimum maintenance.

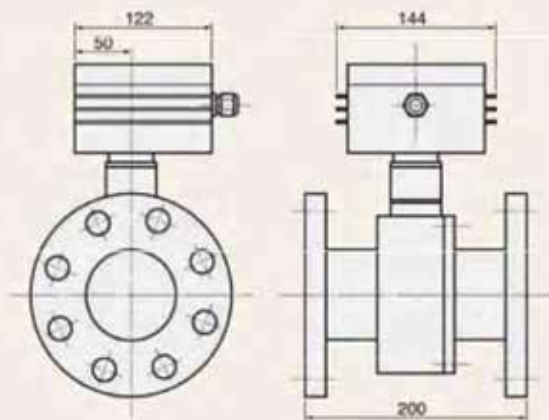
■ OPERATING PRINCIPLE

Powder particles in the air stream are minimally charged with electricity when they are flowing, and then while charged particles pass through or by the sensor, they interact with the sensor followed by induction of electrical signals. The resulting minute electric current generated in this development is conditioned at the sensor and transmitted to the control module to provide an output of signs and alarm.

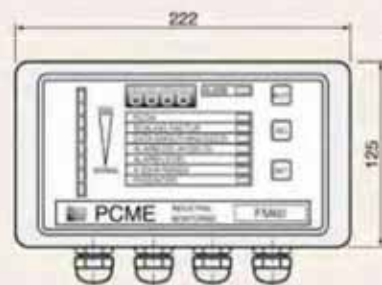
CONTROL UNIT	
4-20mA	Isolated Type
Alarm Output	250VAC, 1A
Display	Digital & Bargraph
Ambient Temperature	-25 ~ +55°C
Control unit size	222 x 125 x 81mm
Control unit rating	IP65
Setup Key	Menu key
Power Supply	105 / 210VAC 50 / 60Hz
Range	1mg / m ³ - 1Kg / m ³

SENSOR UNIT	
Sensor Type	Ring Type (Not protruding) *Available are Rod Type(intrusive) and Stud Type sensors on request.
Temperature	Standard : -25 - 80°C High Temperature: -25 - 160°C Material : SUS304 / Teflon (Option : Teflon covering) Cable : 10m Standard(Max 300m)
Pipe Size	Over 15A
Mounting Standard	Mounting Flange: JIS10K over 15A

● SENSOR OUTLINE DRAWING



● OUTLINE DRAWING OF CONTROL UNIT



■ 営業品目 HANDLING ITEMS

- | | |
|---|--|
| ① 回転式レベルスイッチ
Rotary Float Type Level Switch | ⑩ フロースイッチ
Flow Switch |
| ② 振動式レベルスイッチ
Vibration Type Level Switch | ⑪ 電極式レベルスイッチ
Electrode Type Level Switch |
| ③ 音波式レベルスイッチ
Acoustic Level Switch | ⑫ フロートスイッチ
Float Switch |
| ④ 静電容量式レベルスイッチ
Capacitive Type Level Switch | ⑬ フロート式レベルメータ
Float Type Level Meter |
| ⑤ 静電容量式近接センサ
Capacitive Proximity Sensor | ⑭ 超音波式レベルメータ
Ultrasonic Type Level Indicator |
| ⑥ 静電容量式レベルメータ
Capacitive Type Level Indicator | ⑮ コンベア周辺機器
Equipment For Conveyor Lines |
| ⑦ ダイヤフラム式レベルスイッチ
Diaphragm Type Level Switch | ⑯ ダストモニタ
Dust Monitor |
| ⑧ チルトスイッチ
Tilt Switch | ⑰ レーザー式レベルメータ
Laser Type Level Indicator |
| ⑨ リーク式レベルスイッチ
Leak Type Level Switch | ⑱ 電波式レベルメータ
Radar Type Level Indicator |
| ⑳ マイクロウェーブスイッチ
Microwave Switch | ㉑ 液体分析オンラインセンサ
Online Sensors for Liquid Analysis |
| ㉒ サウンディング式レベルメータ
Sounding Rod Type Level Indicator | ㉓ 液体超音波流量計
Ultrasonic Flow Meter |

ご使用に際しては取扱説明書を必ずお読み下さい。
Please surely read the instruction manual when you operate instruments.

Nuclear Power Generation to Rice Milling
All-round Manufacturer of Level Controllers for Powder, Granules and Liquid

KANSAI Automation Co., Ltd.

Headquarters : TEL. 81-6-6312-2071 FAX. 81-6-6314-0848

URL : <http://www.kansai-automation.co.jp>

e-mail : info@kansai-automation.co.jp

Headquarters: 2-14, Togano-cho, Kita-ku, Osaka 530-0056, Japan
Tel 81-6-6312-2071 Fax 81-6-6314-0848

Tokyo Branch: 1-29-6, Hamamatsu-cho, Minato-ku, Tokyo 105-0013, Japan
Tel 81-3-5777-6931 Fax 81-3-5777-6933

Nagoya Office: 3-31-27, Uchiyama, Chigusa-ku, Nagoya 464-0075, Japan
Tel 81-52-741-2432 Fax 81-52-741-1588

Kyushu Office: 1-2-39, Asano, Kokura Kita-ku, Kitakyushu 802-0001, Japan
Tel 81-93-511-4741 Fax 81-93-511-4580

代理店/Agent